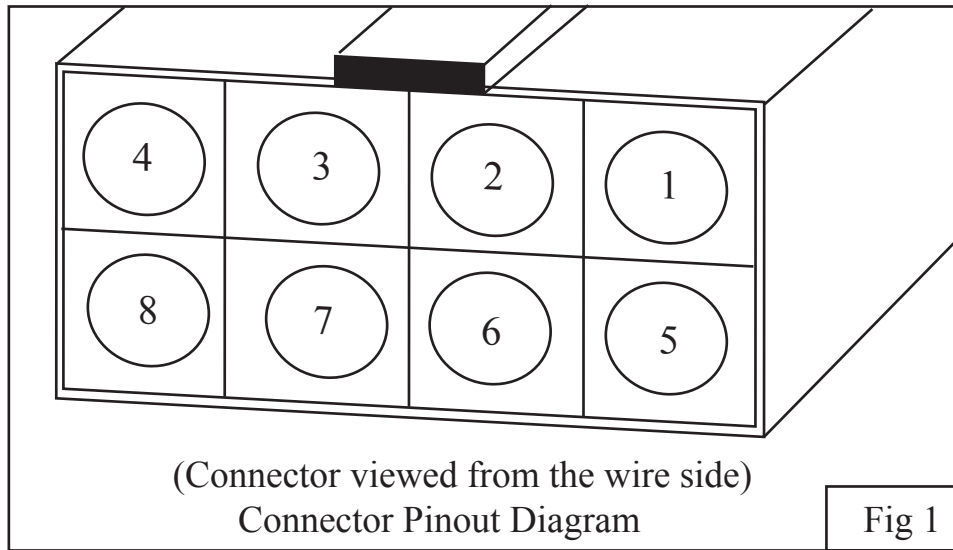


Cable Pinout Instructions for the 999-0836 Universal Gun Kit Type II (I/R Games) (Also applies to the Universal Type II Harness Kit Sega P/N 999-0857)

Do not Install your new gun or cable without reading this first !!!

Sega currently sells 6 different versions of replacement gun harnesses in the Type II Universal Gun Kit (Sega Part Number 999-0836). To install the harness properly, you MUST follow the instructions below.



1. Open package and view the harness attached to the 999-0836 Universal Gun Kit. *Note: these wires will be loose and will need to be pinned in the connector correctly as outlined in the following steps.*
2. Note the number of wires and the color of each wire from step 1. See Table 1 to find which version of harness you have (Version One to Version Six).***
3. Attach the wires to either the Red or Blue Connector received in your kit. Use the color connector that matches your original gun that is being replaced. (See Fig 1)

****This table applies to the harness on your new gun, and NOT what is in game.*

TABLE 1	Version One	Version Two	Version Three	Version Four	Version Five	Version Six
Pin One	Red	Red	Red	Red	Red	Red
Pin Two	Blue	Blue	Blue	Blue	Blue	Blue
Pin Three	Yellow	Yellow	Yellow	Yellow	Yellow	Yellow
Pin Four	Green	Green	Green	Green	Green	Green
Pin Five	Orange	Orange	Orange	Orange	Orange	Orange
Pin Six	Small Black	Small Black	Small Black	Small Black	Small Black	Small Black
Pin Seven	Brown	Large Black	Large Black	Brown	Brown	Brown
Pin Eight	Large Black	N/C	White	Green/Yellow	N/C	White